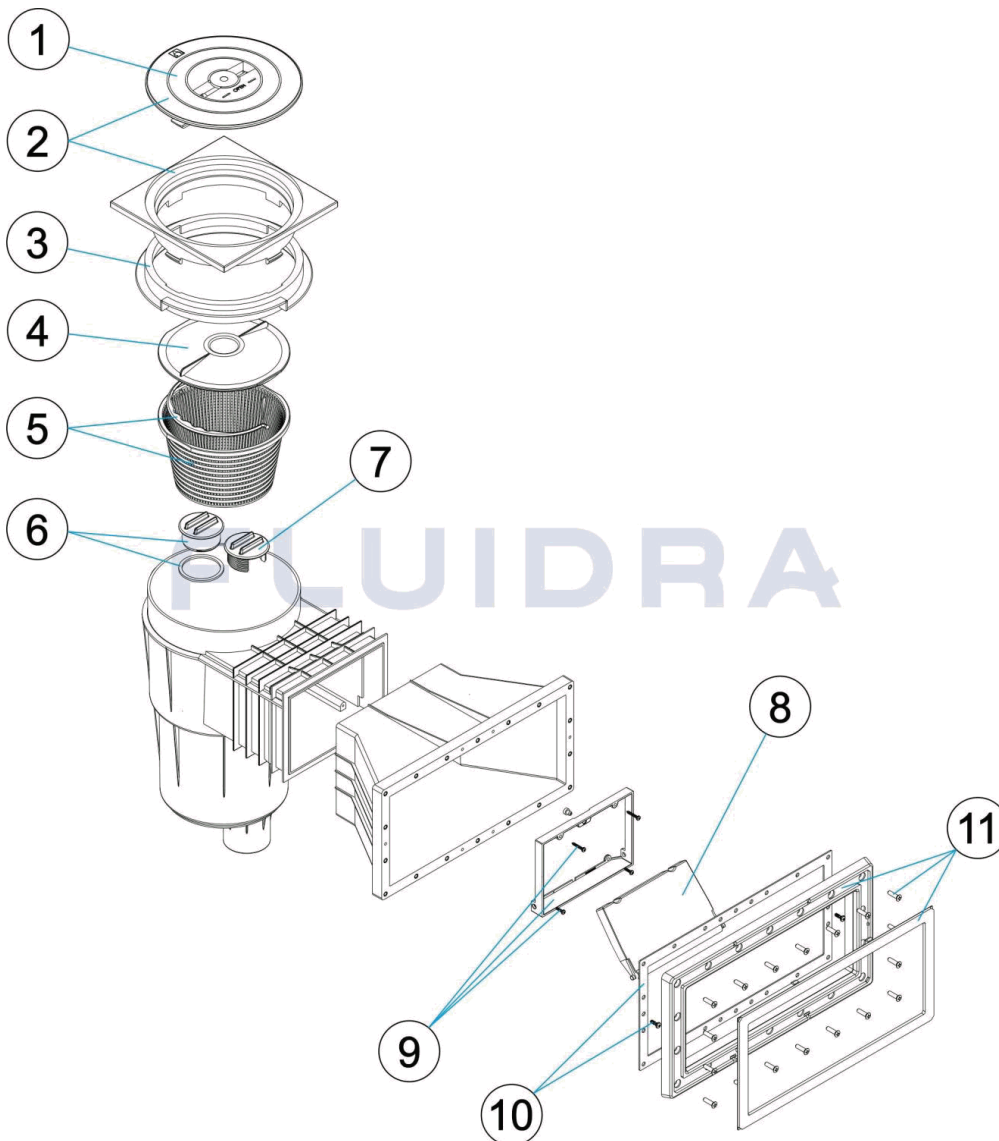


CODE 11311, 11311CL090, 11311CL129, 11311CL144

DESCRIPTION: SKIMMER 17.5L PP WIDE MOUTH SQUARE COVER



ENGLISH

POS	CODE	DESCRIPTION	POS	CODE	DESCRIPTION
1	* 4402010509	SKIMMER LID	6	4402010503	BLANKING PLUG AND 'O' RING
1	* 4402010064	SKIMMER LID	7	4402010502	REGULATING PLUG
1	* 4402010066	SKIMMER LID	8	* 4402010501	SKIMMER FLAP
1	* 4402010041	SKIMMER LID	8	* 4402010076	SKIMMER FLAP
2	* 4402010510	SQUARE RIM AND LID	8	* 4402010079	SKIMMER FLAP
2	* 4402010067	SQUARE RIM AND LID	8	* 4402010080	SKIMMER FLAP
2	* 4402010069	SQUARE RIM AND LID	9	* 4402010508	FLAP FRAME
2	* 4402010040	SQUARE RIM AND LID	9	* 4402010119	FLAP FRAME
3	* 4402010506	COLLAR EXTENSION RING	9	* 4402010120	FLAP FRAME
3	* 4402010073	COLLAR EXTENSION RING	9	* 4402010042	FLAP FRAME
3	* 4402010075	COLLAR EXTENSION RING	10	4402014101	LINER POOL GASKET
3	* 4402010039	COLLAR EXTENSION RING	11	* 4402010408	SKIMMER FRAME FOR LINER
4	4402010505	VACUUM PLATE	11	* 4402010100	SKIMMER FRAME FOR LINER

* -> SEE OBSERVATIONS SHEET

CODE **11311, 11311CL090, 11311CL129, 11311CL144**

DESCRIPTION: **SKIMMER 17.5L PP WIDE MOUTH SQUARE COVER**

5	4402010504	BASKET 17,5 LITRES	11	* 4402010125	SKIMMER FRAME FOR LINER
11	* 4402010124	SKIMMER FRAME FOR LINER			

CODE **11311, 11311CL090, 11311CL129, 11311CL144**

DESCRIPTION: **SKIMMER 17.5L PP WIDE MOUTH SQUARE COVER**

OBSERVATIONS

POS	CODE	OBSERVATIONS
1	4402010509	FOR: 11311 BLANCO / WHITE
1	4402010064	FOR: 11311CL090 BEIGE
1	4402010066	FOR: 11311CL129 GRIS / GREY
1	4402010041	FOR: 11311CL144 ANTRACITA / ANTHRACITE
2	4402010510	FOR: 11311 BLANCO / WHITE
2	4402010067	FOR: 11311CL090 BEIGE
2	4402010069	FOR: 11311CL129 GRIS / GREY
2	4402010040	FOR: 11311CL144 ANTRACITA / ANTHRACITE
3	4402010506	FOR: 11311 BLANCO / WHITE
3	4402010073	FOR: 11311CL090 BEIGE
3	4402010075	FOR: 11311CL129 GRIS / GREY
3	4402010039	FOR: 11311CL144 ANTRACITA / ANTHRACITE
8	4402010501	FOR: 11311 BLANCO / WHITE
8	4402010076	FOR: 11311CL090 BEIGE
8	4402010079	FOR: 11311CL129 GRIS / GREY
8	4402010080	FOR: 11311CL144 ANTRACITA / ANTHRACITE
9	4402010508	FOR: 11311 BLANCO / WHITE
9	4402010119	FOR: 11311CL090 BEIGE
9	4402010120	FOR: 11311CL129 GRIS / GREY
9	4402010042	FOR: 11311CL144 ANTRACITA / ANTHRACITE
11	4402010408	FOR: 11311 BLANCO / WHITE
11	4402010100	FOR: 11311CL090 BEIGE
11	4402010125	FOR: 11311CL129 GRIS / GREY
11	4402010124	FOR: 11311CL144 ANTRACITA / ANTHRACITE