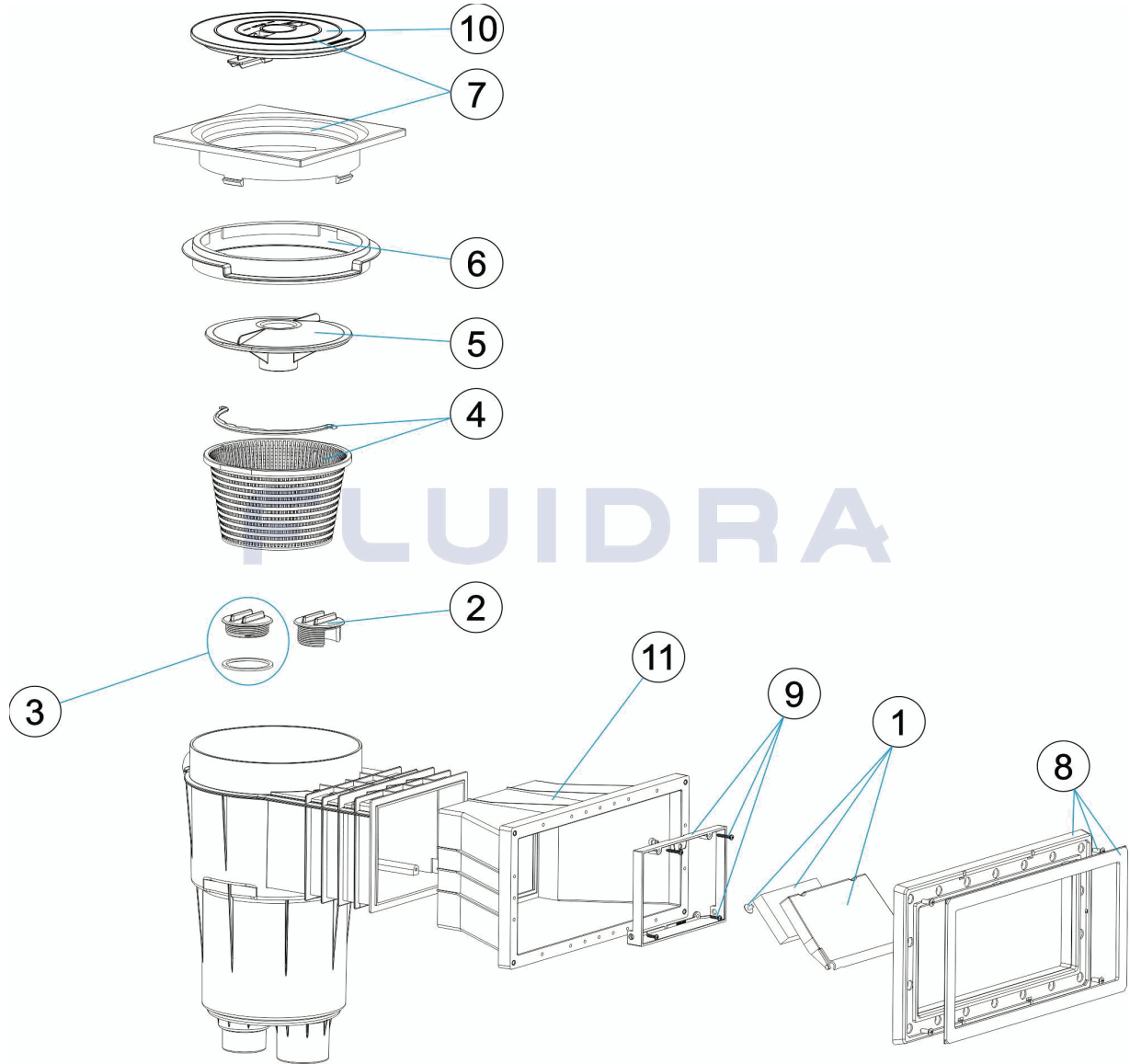


CODE **11304**

DESCRIPTION: **SKIMMER 17.5L WIDE MOUTH SQUARE COVER**



ENGLISH

POS	CODE	DESCRIPTION	QUANTITY	POS	CODE	DESCRIPTION	QUANTITY
1	4402010501	SKIMMER FLAP		7	4402010510	SQUARE RIM AND LID	
2	4402010502	REGULATING PLUG		8	4402010207	CONCRETE SKIMMER FRAME	
3	4402010503	BLANKING PLUG AND 'O' RING		9	4402010508	FLAP FRAME	
4	4402010504	BASKET 17,5 LITRES		10	4402010509	SKIMMER LID	
5	4402010505	VACUUM PLATE		11	00251R0200	EXTENSION THROAT	
6	4402010506	COLLAR EXTENSION RING					